

Single door wall cabinet

www.youfibercable.com

Features

- ◇ Doublesection wall mount rack
- ◇ Framestructure. Max loading 60kg
- ◇ TheFrame Can be moved According to Requirement
- ◇ Walland stand installation type, optional caster and support feet for standinstalling
- ◇ Quickopen side door with lock easy to install and maintain, back door can chooseright or left close
- ◇ Topand bottom wire path
- ◇ Optional120mm axial motor 1 piece or 2 pieces

Youxin



REC E

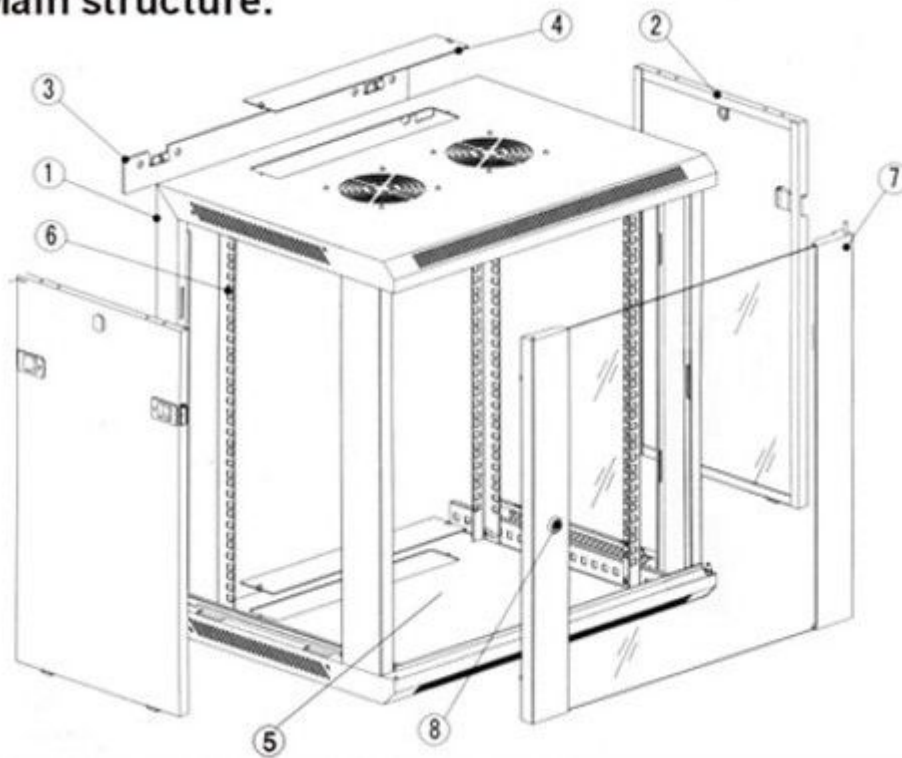
www.youfibercable.com

Description

Material: SPCC quality cold rolled steel Thickness: Square hole strips 2.0mm,others1.2mm
color: RAL9004, RAL7044

Surface finish: Degrease, acid pickling,rust prvention and parkerizing, pure water cleaning, static eletricity plasticpainting

Main structure:



Parameter

MODEL NO.	CAPACITY	WIDTH(MM)	DEPTH(MM)	HEIGHT(MM)	PACKING DIMENSION		
					W/M	D/M	H/M
YX-007-6406	6U	600	450	368	0.62	0.47	0.39

Single door wall cabinet

www.youfibercable.com

YX-007-6606		600	600		0.62	0.62	0.39
YX-007-6409	9U	600	450	501	0.62	0.47	0.52
YX-007-6609		600	600		0.62	0.62	0.52
YX-007-6412	12U	600	450	635	0.62	0.47	0.66
YX-007-6612		600	600		0.62	0.62	0.66
YX-007-6415	15U	600	450	769	0.62	0.47	0.79
YX-007-6615		600	600		0.62	0.62	0.79
YX-007-6418	18U	600	450	901	0.62	0.47	0.92
YX-007-6618		600	600		0.62	0.62	0.92
YX-007-6422	22U	600	450	1082	0.62	0.47	1.1
YX-007-6622		600	600		0.62	0.62	1.1
YX-007-6427	27U	800	450	1304	0.62	0.47	1.32
YX-007-6627		800	600		0.62	0.62	1.32

Applications

- ◇ FTTx (ODF rack)
- ◇ Optical fiber cabinet
- ◇ Optical fiber network