

## Features

- ◇ High quality NEC receiving module
- ◇ LCD display
- ◇ Wide range of input optical power
- ◇ PHILIPS/NEC Power Doublers output module
- ◇ Plug-in splitter(tap) in output
- ◇ SNMP management is optional



## Description

OR5200-19 series field 2-way output optical receiver is used for long-distance optical fiber transmission of TV image signal, digital TV signal telephone sound signal and data (or compressed data) signal.

Our company develops the first CATV optical receiver since 1995, we have studied the various technical performance of CATV optical receiver for more than 10 years, which has accumulated a lot of experience in product development and engineering practice, improve the internal circuit, external structure and performance index.

## Parameter

Item	Specification
<b>Forward optical receive parameter</b>	
<b>Optical parameter</b>	
Input power range	-5~+2 dBm
Suggested work range	-3~+1 dBm
Optical return loss	>45 dB
Optical wavelength	1100~1600 nm
Operating fiber type	single mode
<b>System Parameter</b>	
C/N	>51 dB
C/CTB	>65 dB
C/CSO	>60 dB
<b>RF parameter</b>	
Frequency range	47~862 MHz
Flatness	±0.75 dB
Rated output level	92 (Input Optical Power -2dBm) dBuV
Max. output level	110 dBuV
Return loss	≥16(47-550MHz);≥14(550-862MHz) dB
Output impedance	75Ω

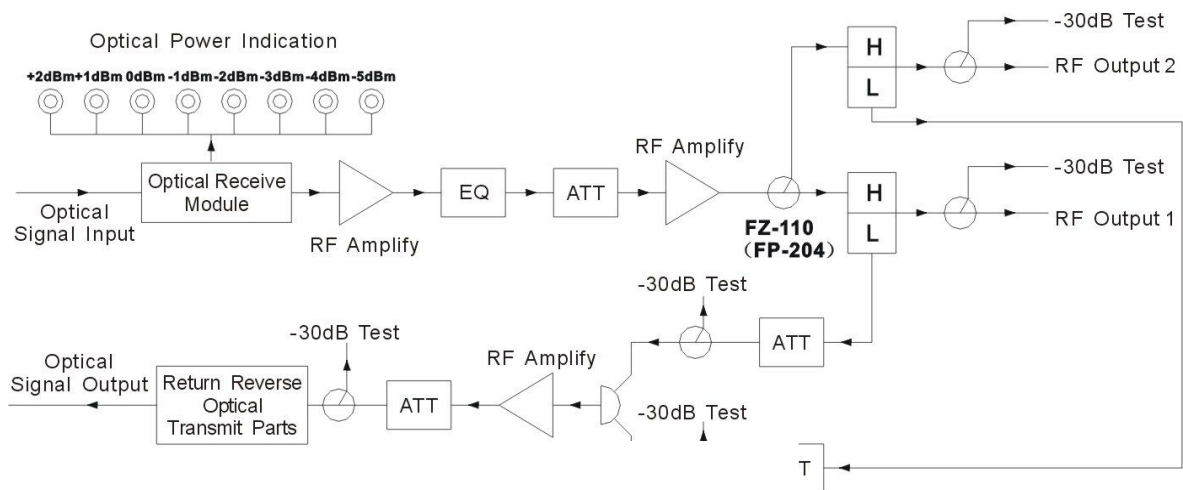
# OR5200-19 Optical Receiver

Connectors	FC/APC or SC/APC, F connector imperial thread
Power supply	AC110~240V
Power consumption	40 W
Operating temperature	-40 ~ +60 °C
Storage temperature	-40 ~ +65 °C
Relative humidity	max. 95% no condensation
Dimension	19inch, 1U

## Applications

- ◇ HFC/CATV network

## System Chart



WR-8602B, WR-7502B